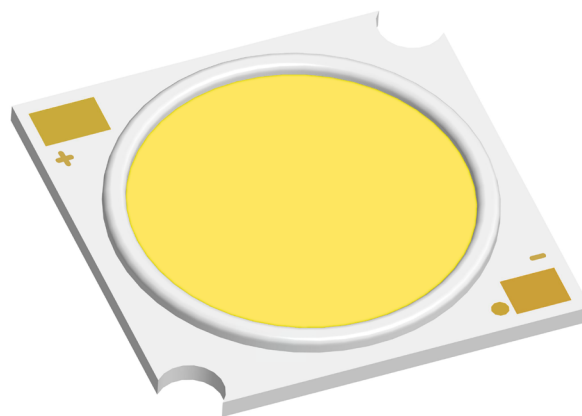


МОЩНЫЙ СВЕТОДИОД ARPL-25W-HGA-1919-97

ОСОБЕННОСТИ

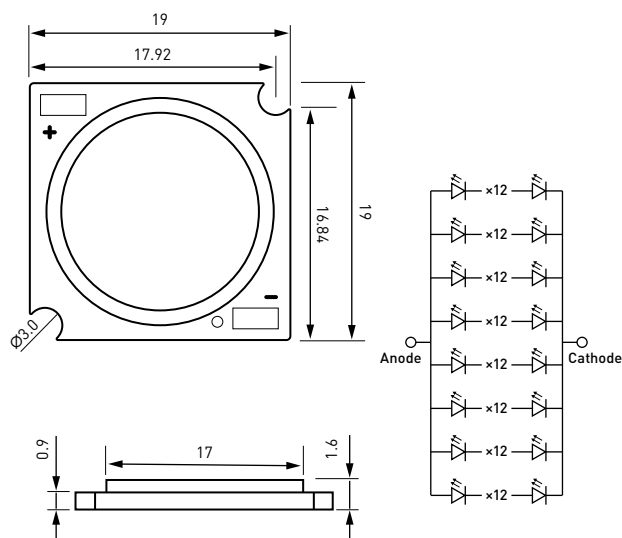
- Высокая световая эффективность (>100 лм/Вт)
- Высокий индекс цветопередачи (CRI>97)



ПРИМЕНЕНИЕ

- Светодиодные светильники (трековые, даунлайты)

ГАБАРИТНЫЕ РАЗМЕРЫ



Notes: All dimensions in mm.
The tolerances unless mentioned are ±0.1, unit=mm.

ПАРАМЕТРЫ

ABSOLUTE MAXIMUM RATINGS

Parameter	Symbol	Min	Typ	Max	Unit
Input Power Range	P_i	-	24.8	43.8	W
Operating Current Range	I_F	-	720	1200	mA

Parameter	Symbol	Rating Value	Unit
Junction Temperature	T_j	125	°C
Operating Temperature Range	T_{op}	-35... +85 °C	
Storage Temperature Range	T_{stg}	-40... +85 °C	
Lead Soldering Temperature*	T_{sol}	Max. 350 °C for 5 sec Max.	

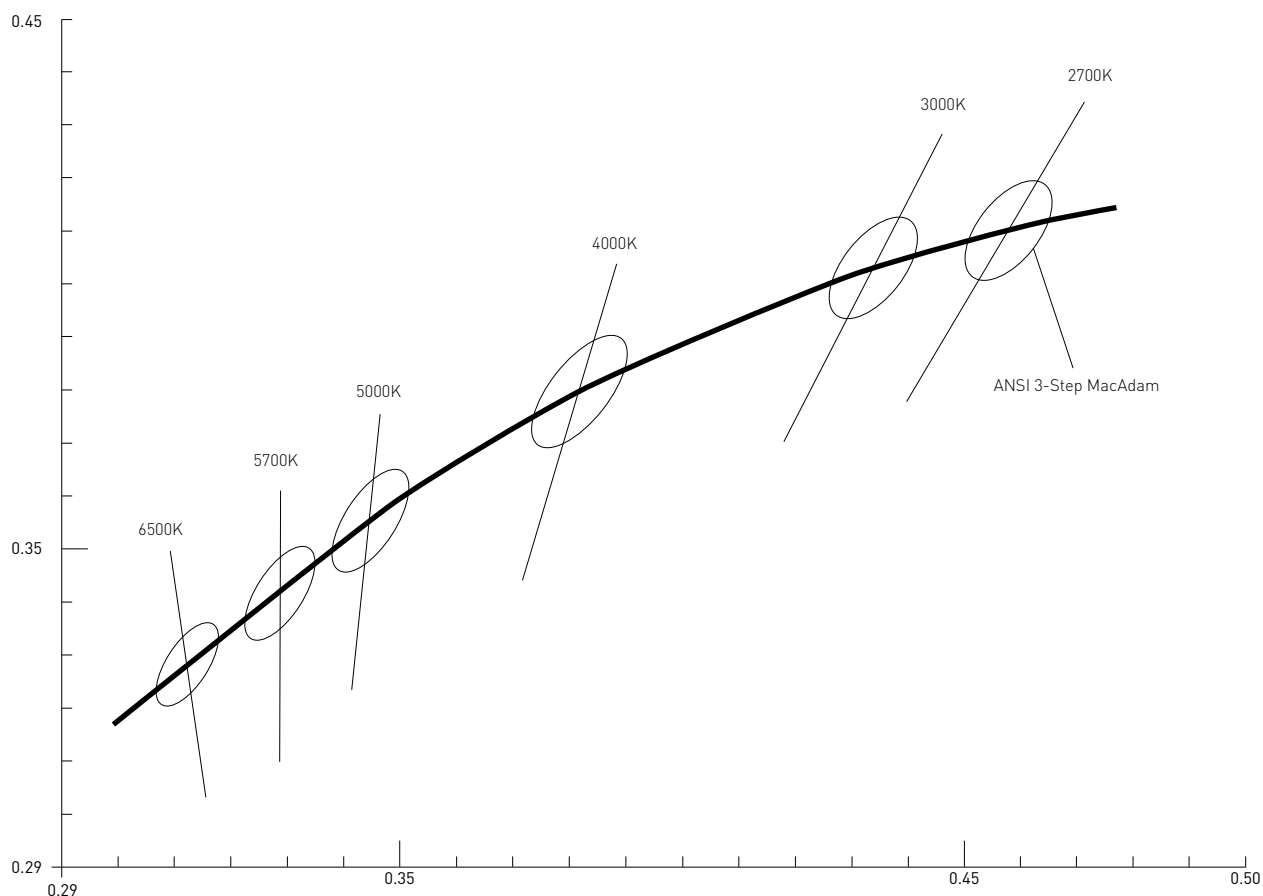
Notes:

1. The temperature of Aluminum PCB do not exceed 95 °C. If the input power reach 80% max P_i , the temperature of Aluminum PCB should be control below 85 °C.
2. When hand soldering, keep the temperature of iron below less 350 °C less than 5 seconds.
3. DC Current: $T_j = T_s + R_{j-c} \times P_i$.

ELECTRO-OPTICAL CHARACTERISTICS (AT $T_c = 25 °C$)

Parameter	Symb.	Condition	Min.	Avg.	Max.	lm/W (typ)	Unit	
Forward Voltage	V_F	$I_F = 720 \text{ mA}$	32	35	38	-	V	
		$T_c = 2700K$	-	-	-	-		
		$T_c = 3000K$	2690	2840	3090	110		
		$T_c = 3500K$	-	-	-	-		
		$T_c = 4000K$	2860	3010	3260	118		
		$T_c = 5000K$	-	-	-	-		
		$T_c = 5700K$	-	-	-	-		
Luminous Flux	Φ_v	$T_c = 6000 \pm 300K$	-	-	-	-		
		$T_c = 6500K$	-	-	-	-		
		CRI	R_a	$I_F = 720 \text{ mA}$	97	-	-	-
		Thermal Resistance	$R_{(j-s)}$	$I_F = 720 \text{ mA}$	-	1.05	-	-

ГРУППИРОВКА ПО СВЕТОВЫМ ХАРАКТЕРИСТИКАМ

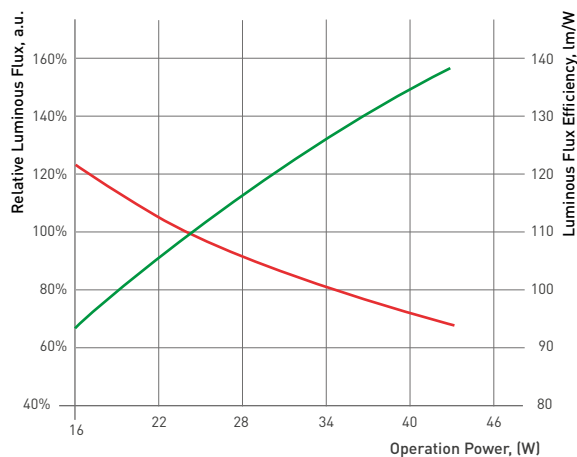


Center TC	2725K	3045K	3985K	5028K	5665K	6530K
X, Y	0.4578, 0.4101	0.4338, 0.403	0.3818, 0.3797	0.3447, 0.3553	0.329, 0.3417	0.3123, 0.3282

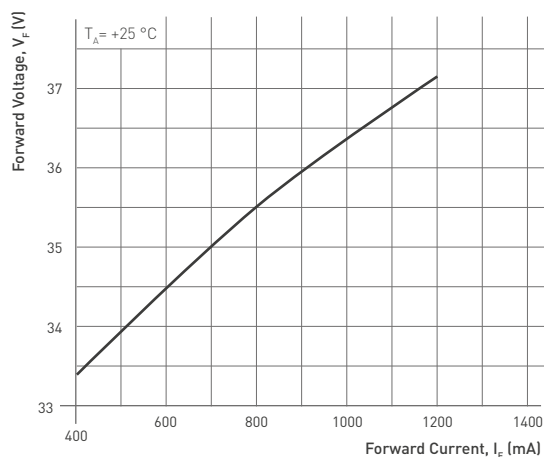
1. Color bins are defined at $I_f=720$ mA operation. If use different forward current, it will cause the change of chromaticity and forward voltage.
2. Tolerance of measurement at our tester is $VF\pm 3\%$, $\Phi_v\pm 10\%$ and $R_a\pm 2$.
3. Tolerance of ± 0.005 on x, y-coordinates.
4. Color region stay within MacAdam "3-step" ellipse from the chromaticity center, but does not contain the color temperature $6000\pm 300K$. The chromaticity center refers to ANSI C78.377-2008.

ТИПОВЫЕ ЗАВИСИМОСТИ ЭЛЕКТРООПТИЧЕСКИХ ХАРАКТЕРИСТИК

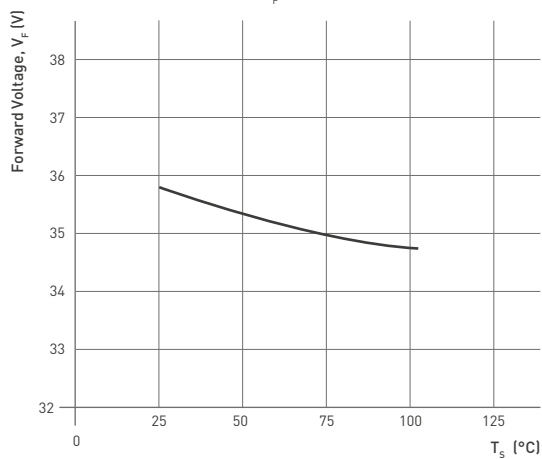
Operating Power



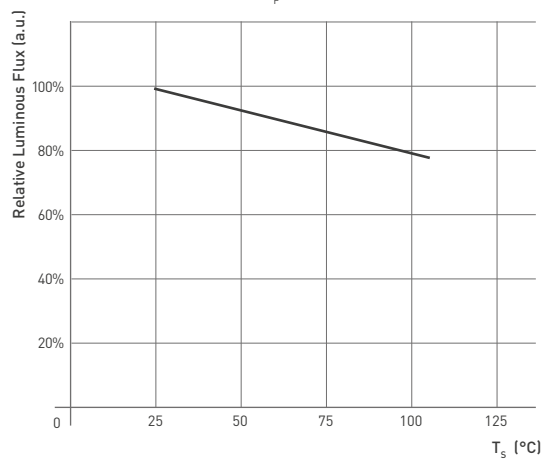
Forward Voltage vs. Forward Current



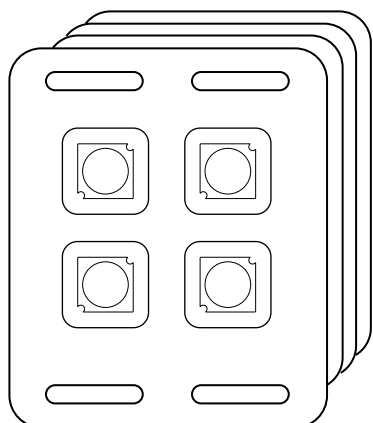
Case Temperature vs. Forward Voltage
 $I_F = 720\text{mA}$



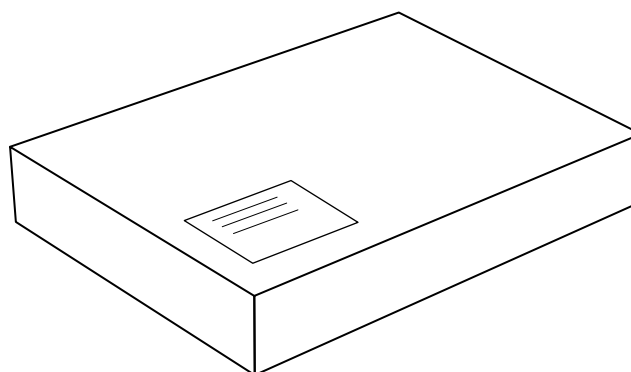
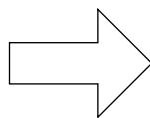
Case Temperature vs. Relative Luminous Flux
 $I_F = 720\text{mA}$



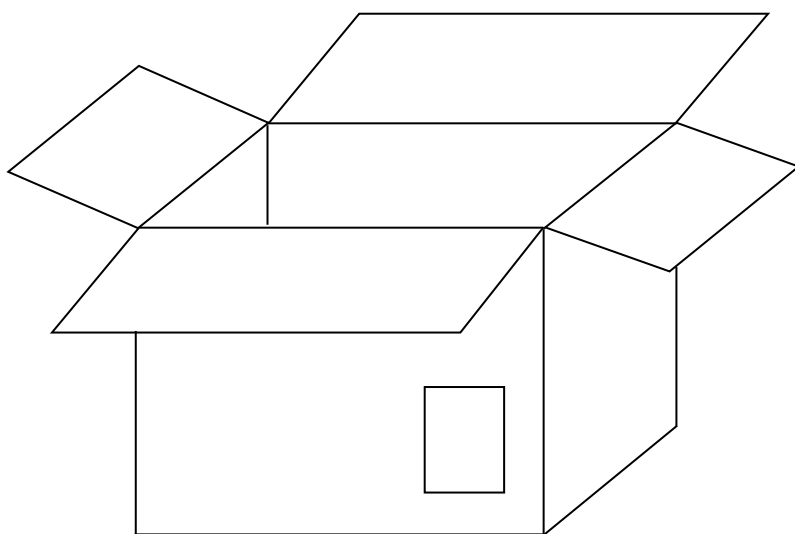
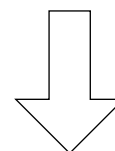
УПАКОВКА



Блистер
4 шт



Коробка
36 шт



Транспортный короб